

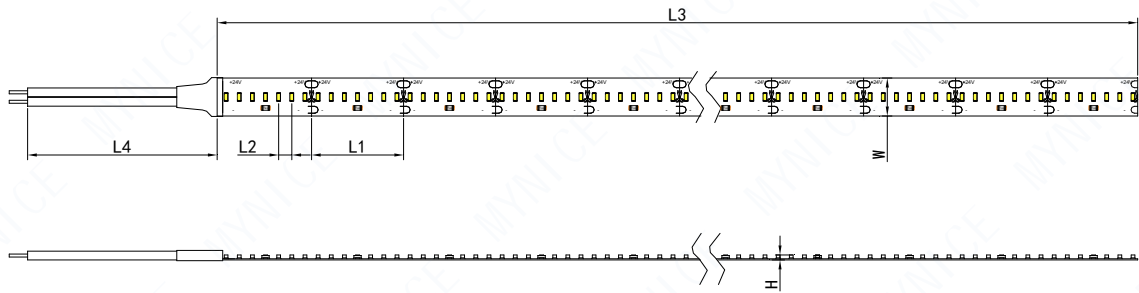
Feature:



- SMD2110 led chip are mini size and low cost, it could achieve high density line array;
- The spacing of leds is small, which has excellent performance in luminous uniformity and low height linear lighting;
- Ideal light source for Small size LED Linear lighting.

Technical Specifications:				Symbol	CCT	Flux Lm/m
Rated Power	24W/m	Control	/	●	2700K	1970
Rated Voltage	DC24V	Pixel	/	●	3000K	1990
LED Qty.	280LED/m			●	4000K	2155
LED Package	SMD2110			●	5000K	2160
Colour/Ra	Ra>80			●	6500K	2055
Beam Angle	120°			●	Red	
SDCM	3/5SDCM			●	Green	
Operating Temp.	-20~45°C			●	Blue	
Storage Temp.	-25~60°C			●	RGB/RGBW	
Lifespan	>50000Hours					
International Protection	IP20					
Inverse Kinematics	/					

※The above power lumen data is based on the measurement results when the product length is 1 meter and the color temperature is 4000K, with a measurement deviation of ±10%.



						Units: mm
Code	Cut/L1	Distance/L2	Length/L3	Cable/L4	Width/W	Height/H
Value	10	1.43	5000	150	12	1.1
Tolerance	±0.2	±0.2	±10	±10	±0.1	±0.2

Accessory Information:



General installation



Good fixation

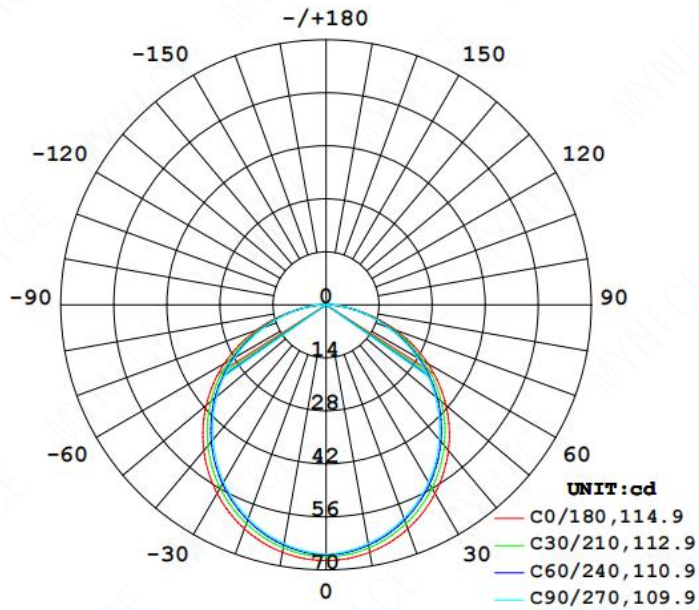


Long term durability



※ The buckle is optional

Luminous Intensity Distribution Diagram:

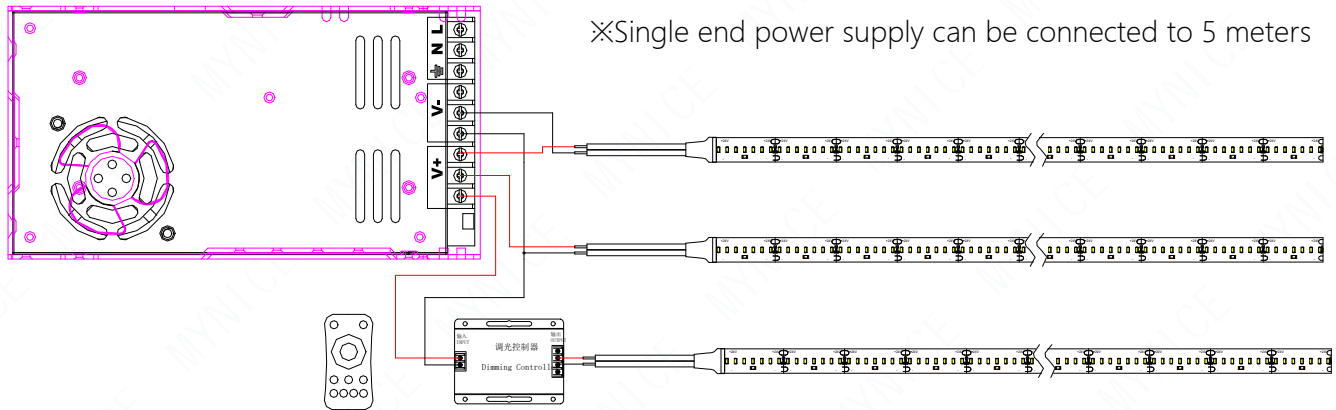


Average Beam Angle(50%):112.3 DEG

Packaging Information :

Net weight (g)	Inner box size (cm)/weight (kg)	Qty PCS/CTN	Carton Size(cm)/GW.(kg)

Electric Diagram:



※The dimmer can be connected to achieve dimming

Cautions:

- Installation of LED strips (with power supplies) needs to be made under consideration of all valid regulations and norms.
- Installation by qualified electrician only.
- Please drive the led strip with isolated power, and the ripple of the constant voltage source should be less than 5%.
- Please do not bend the strip into an arc with a diameter less than 20mm to ensure the longevity and reliability.
- Do not fold it in case any damage of LED beads.
- Do not pull the power wire hard to ensure the longevity. Any crash may damage the colloidal surface is prohibited.
- Please make sure the wire is connected to the anode and cathode correctly. The power output should be consistent with the voltage of the strip to avoid damage.
- LED lights should be stored in dry, sealed environment. Please only unpack it before usage. Ambient temperature: -20 °C ~ + 45 °C. Storage temperature: -25 °C ~ + 60 °C/60%RH.
- Please use the strips without waterproof within indoor environment with humidity less than 70%.
- Please be careful during operation. Do not touch the AC power supply in case of electric shock.
- Please leave at least 20% power for the power supply during using to ensure there is enough power supply to drive the product.
- Do not use any acid or alkaline adhesives to fix the product (e.g.: glass cement).
- The joints of extended strips should be deal with waterproof when using waterproof products.