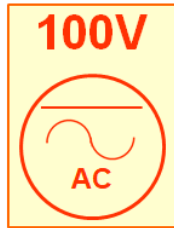


Product Technical Datasheet



High Voltage module (H1)

P/N: M21HW001

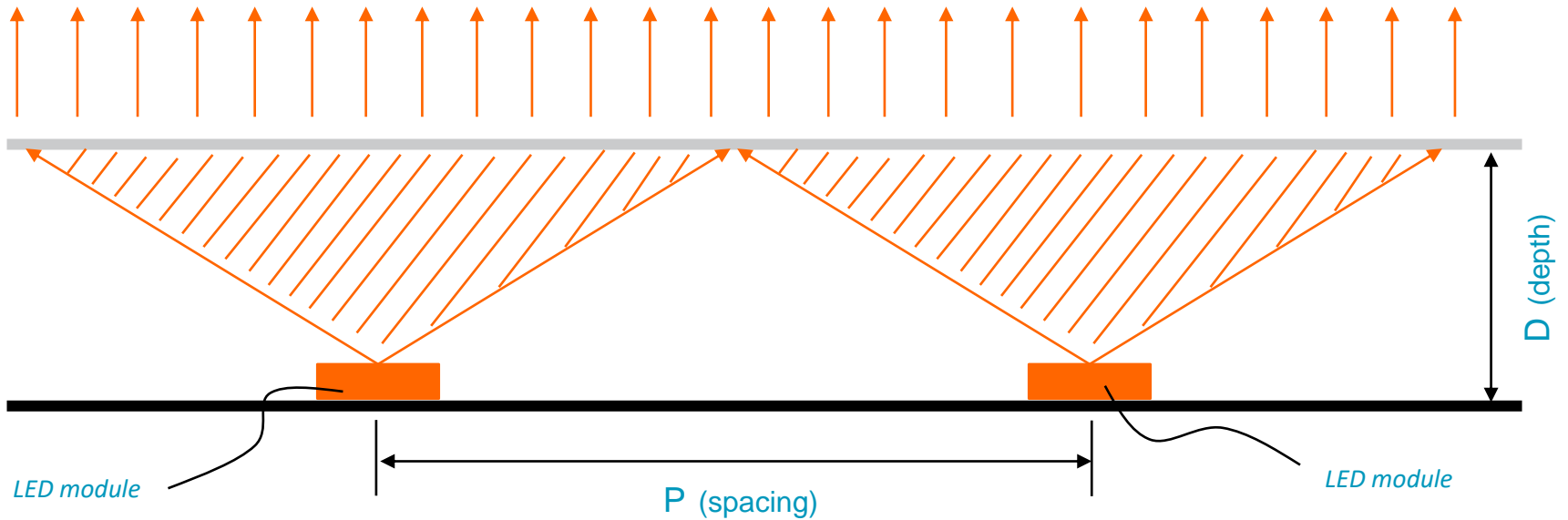
Areas of application

- Signage and illuminated advertising.
- Back-lighting for medium and large light box, channel letter.
- Best for 50mm ~ 200mm depth.

Product main benefits

- Wider optics lens design can get more uniformity light spot in application.
- Can be working at AC100V without driver connecting.
- 3 years warranty (design lifetime: 40khrs).
- IP68
- 1.0 W/module.

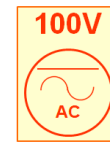




$$\text{optical performance proportion} = \frac{D(\text{depth})}{P(\text{spacing})} = 1:3$$

- The proportion of “P” and “D” can show the performance of lens optics design.
- The bigger proportion, the wider light spot.
- The proportion is for reference from lab, actual layout need based on real application.

Electrical and Photometrical data



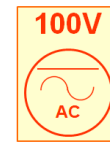
Electrical data	Part Numbers	Typical Voltage	Energy Consumption		Additional Information
H1	M21HW00I	AC100V	1.0 W/module	50 W/chain	50 modules/chain

Photometrical data	Part Numbers	Light color (designation)	CCT	Typical Brightness	
H1	M21HW00I	Cold white	8000K	71 lm/module	3550 lm/chain
H1	M21HW00I	White	6500K	75 lm/module	3750 lm/chain
H1	M21HN00I	Warm white	3000K	71 lm/module	3550 lm/chain

Remark:

1. Ranking at $t_a = 25^\circ\text{C}$.
2. Constant current design.
3. Tolerance of measurements for power/lumen are $\pm 10\%$.

Application Conditions and light distribution

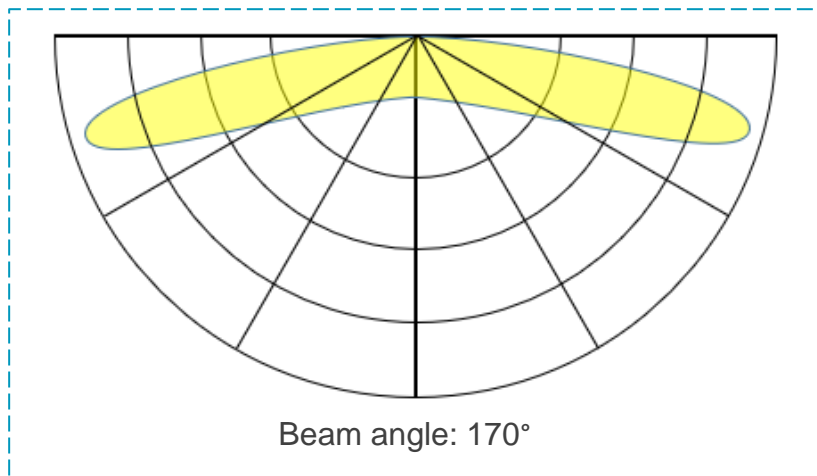


MYNICE

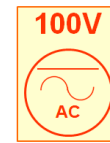
Operating Environment (t_a)	-25°C to +55°C
Storage Temperature Range (t_s)	-40°C to +85°C
IP Rating	IP68
Warranty	3 years
Design lifetime (L70B50)	40khrs
tc temperature	80°C
Dimming mode	Dimmable (TRIAC)

Cutting Resolution

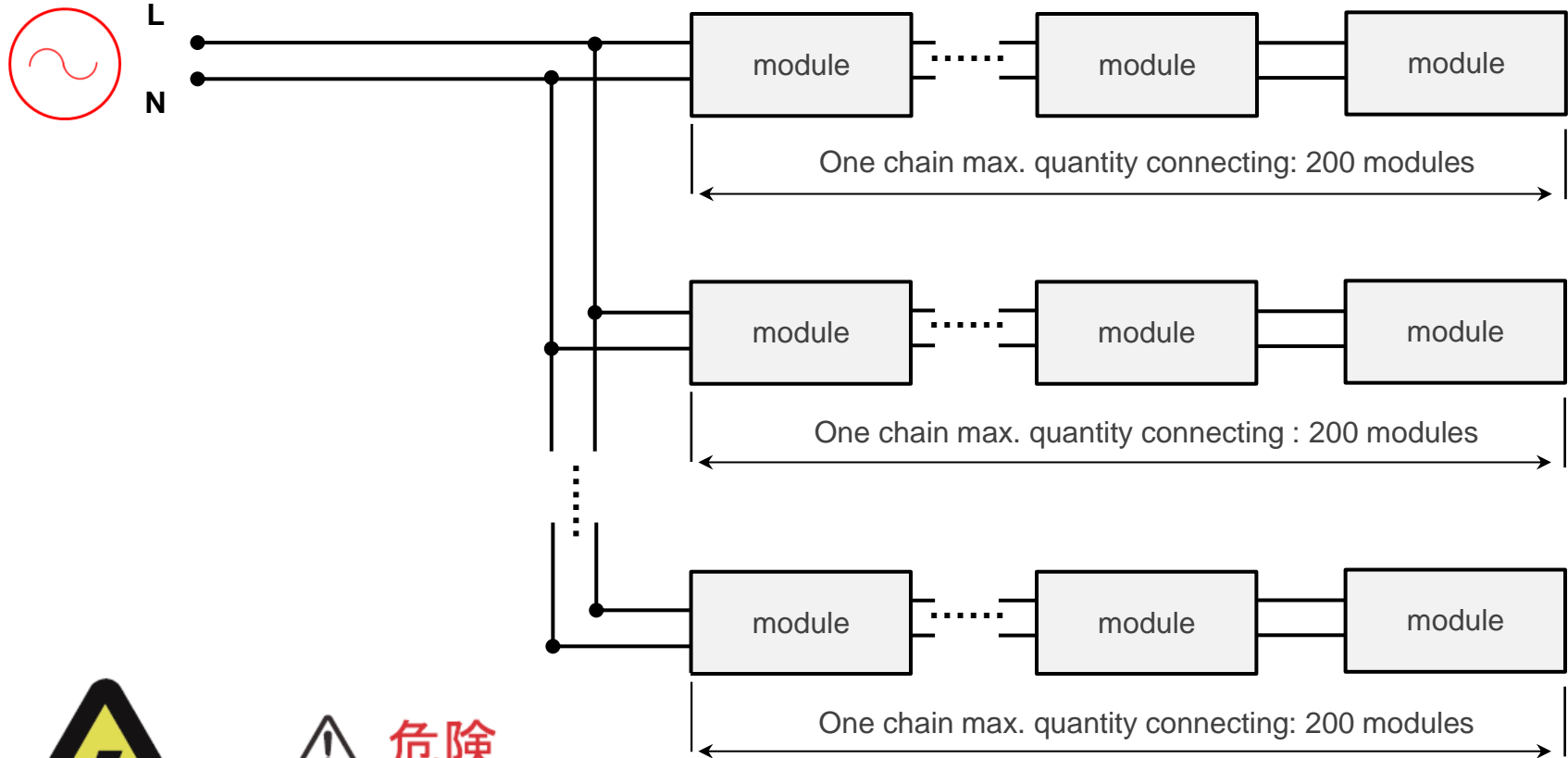
Cut on wire between every module
(must be insulation wrap handling after cutting)



Wiring method



MYNICE



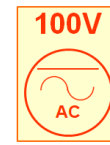
高電圧危険

危険

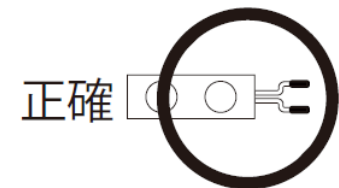
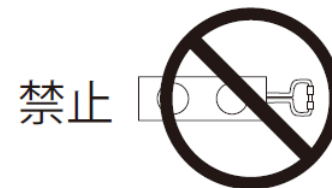
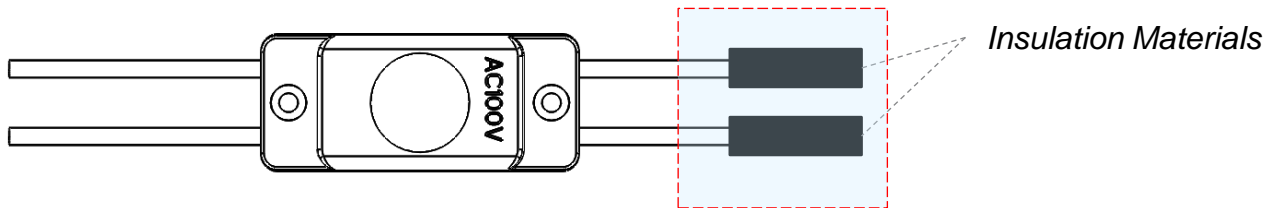
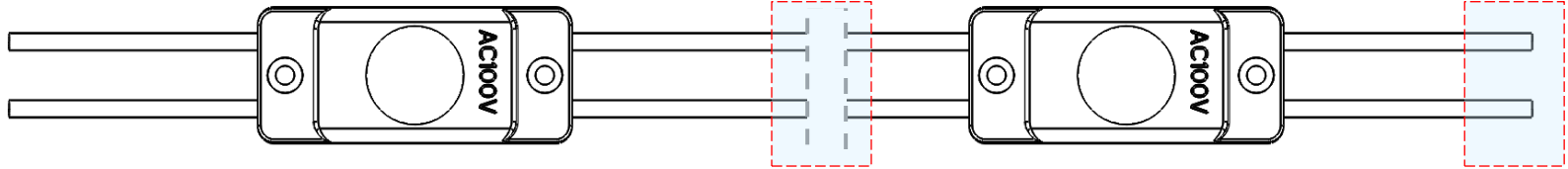
AC100Vは高電圧の為、
電気設備基準に従って、
有資格者が作業を行って
ください。

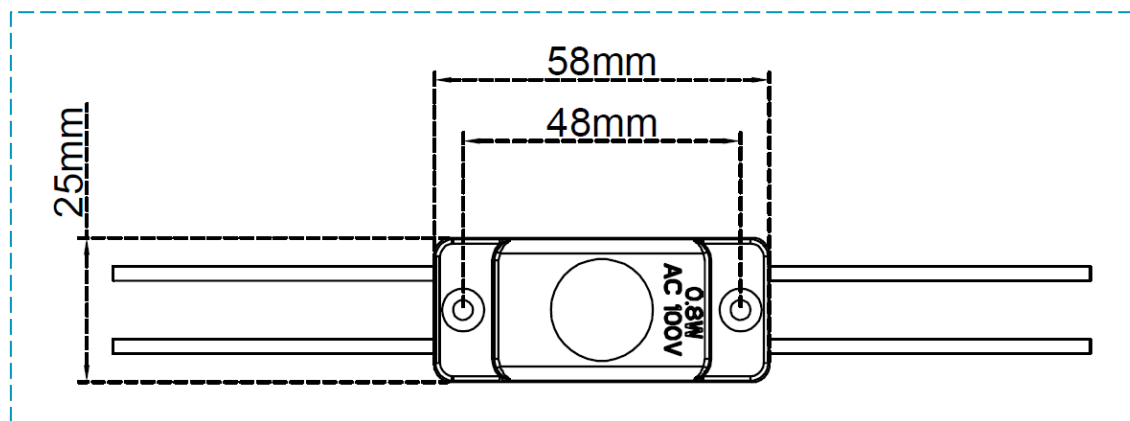
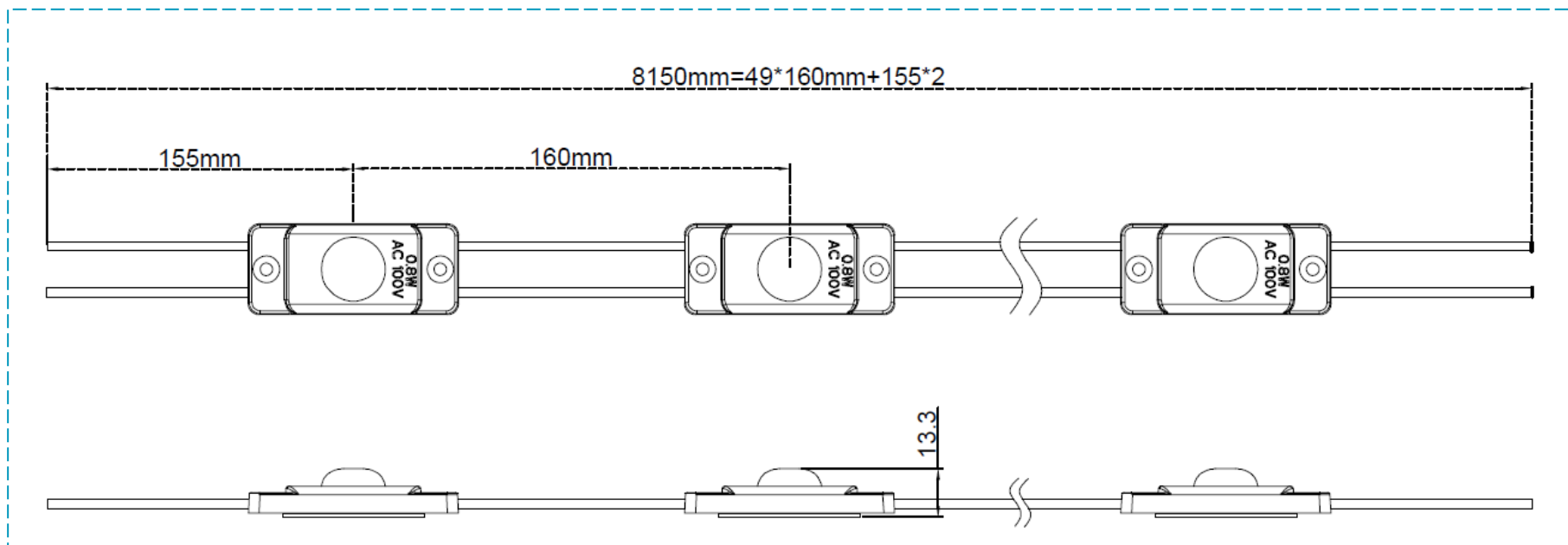
詳しくは、同梱の取扱説明書をよくお読みください。

Wiring method

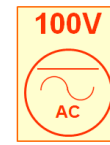


The wire area where 1.connect with AC100V, 2.connect between two chain modules, 3.after cutting and 4.end of one chain, all must be insulation wrap handling.





Package and additional information



Products	Part Numbers	Package unit (modules/carton box)	Carton box Dimensions (length x width x height)
H1	M21HW001		

Additional information:

- Installation of LED modules (with power supplies) needs to be made under consideration of all valid regulations and norms.
- Installation by qualified electrician only.
- Parallel connection is mandatory for safe electrical operation. Serial connection of LED modules is discouraged. Unbalanced voltage drop in serial connection can cause hazardous overload
- Electrical contact is achieved with the contact cables or the terminals of the module. Please refer to the technical data for maximum number of LED modules that can be operated on one control gear.
- To avoid mechanical damage, the LED modules have to be attached securely to the intended mounting surface. It is recommended to avoid heavy vibration.
- LED modules are dimmable by means of PWM (pulse width modulation).
- During installation, it is highly recommended to install modules with screws to ensure long-term stability. Other means of securing modules(sealant, vinyl, etc.) are also acceptable.